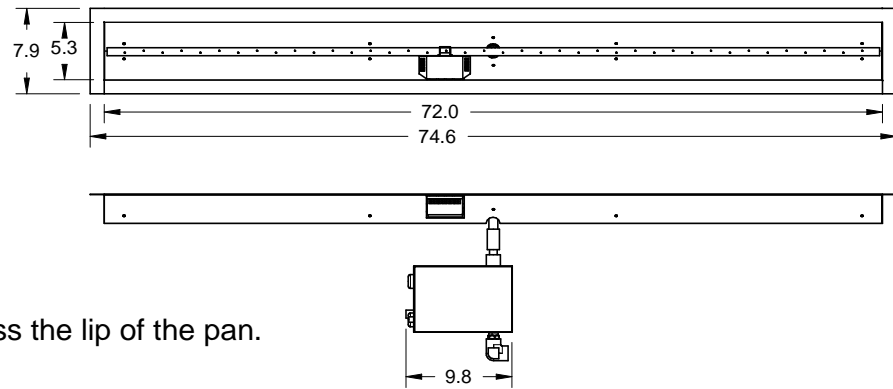
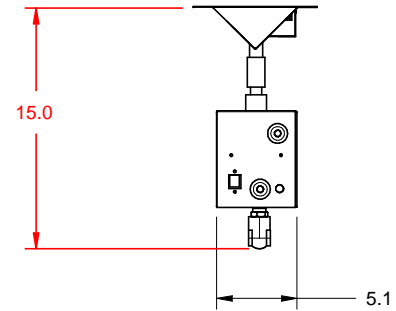



Click on Image to View in 3D

REVISIONS				
ZONE	REV	DESCRIPTION	DATE	APPROVED



It is recommended to recess the lip of the pan.

Materials: Pan, Burner, and Valve Box Are All 304 Stainless Steel Construction Overall Height = +- 2.0 Depending on Configuration	DRAWN Mike Adkins	DATE 11/5/2010	72SSHWI-TRGH			
	CHECKED					
	QA		Hearth Products Controls Co			
	MFG		SIZE A	FSCM NO.	DWG NO. 72SSHWI-TRGH	REV
	APPROVED		SCALE		SHEET	